

### SM535-1 ADSL Line Transformers



#### Features

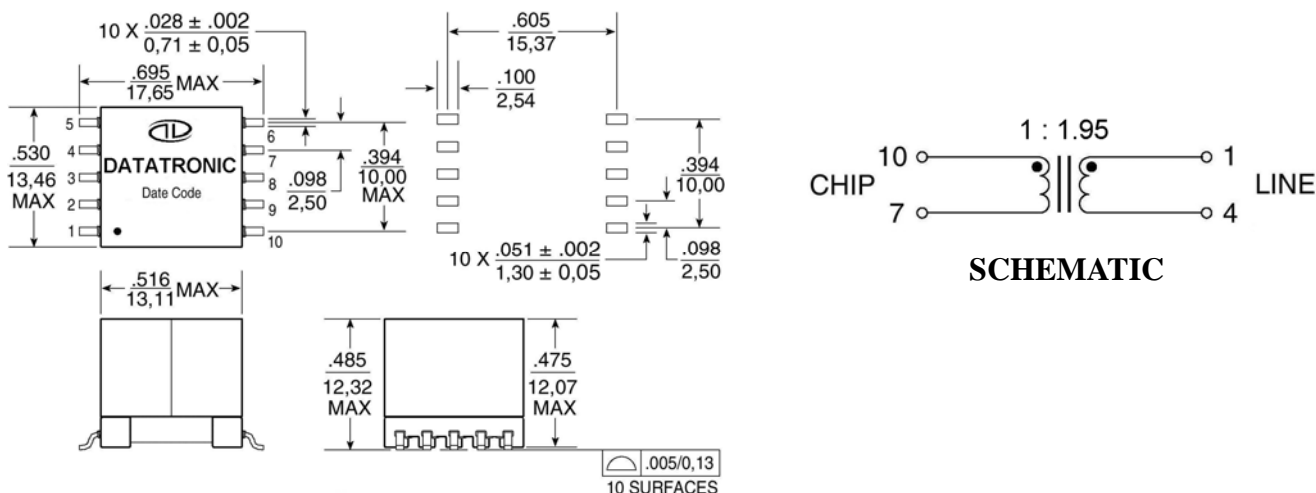
- For use with Texas Instrument's TNET D 4000 C/P chipset
- Excellent Total Harmonic Distortion (THD) Performance
- SMT and Small size package
- Designed to meet IEC1950

#### ELECTRICAL SPECIFICATIONS AT 25°C:

#### OPERATING TEMP: -40°C to +85°C

URNS RATIO (10-7):(1-4)	1 : 1.95±2% (CHIP TO LINE)
OCL @10kHz, 0.1V (1-4) WITH (2-3) SHORTED	1.5mH±10%
LEAKAGE INDUCTANCE @10kHz 0.1V (1-4) WITH (10-7) SHORTED	12.0µH MAX
INTERWINDING CAPACITANCE @10kHz, 0.1V (1-10)	35pF MAX
ISOLATION VOLTAGE (MAX)	1500 Vrms
DC RESISTANCE (1-4) WITH (2-3) SHORTED	2.0Ω MAX
APPLICATION	CO

#### OUTLINE DIMENSIONS



#### NOTES:

1. Dimensions are shown in inches/millimeters  
Unless otherwise specified, tolerance = Inches: ±0.010  
= Millimeters: ±0,25
2. For non-RoHS parts replace SM prefix with 42- (e.g. SM535-1 becomes 42-535-1)
3. Terminal finish is compliant to RoHS requirements. Solder in accordance with J-STD-020C.