

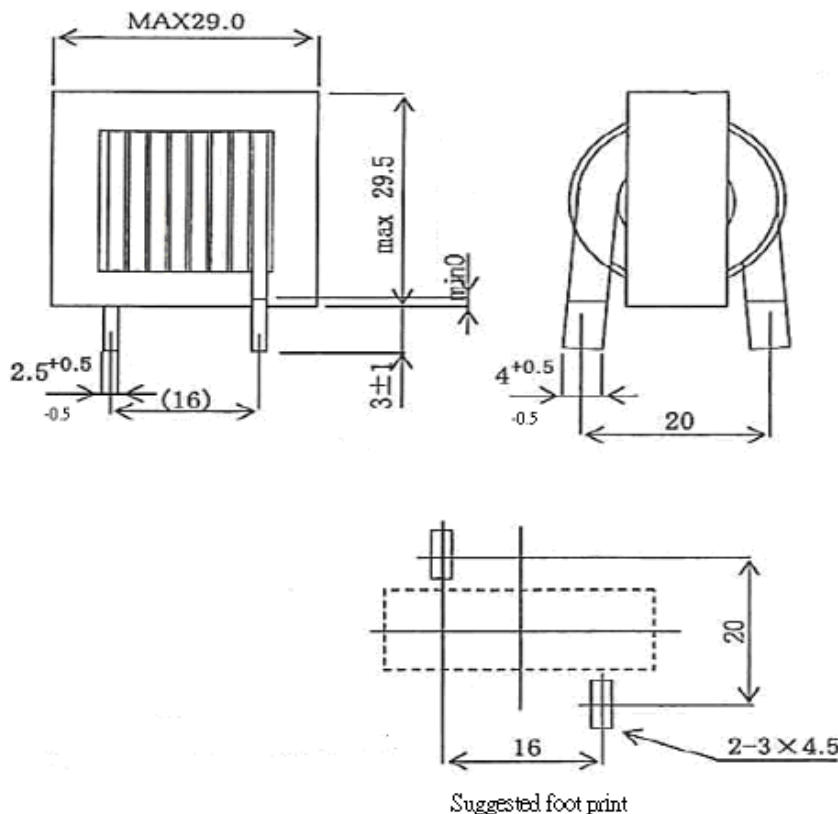


## DR79892 FLAT WIRE, THRU-HOLE, POWER INDUCTOR

### Electrical Specifications @ 25°C

Inductance	4.0 $\mu$ H $\pm$ 20% @I <sub>dc</sub> =0A, 100kHz,10mA
Rated Inductance	2.5 $\mu$ H $\pm$ 20% @I <sub>dc</sub> =45A, 100kHz,1mA
Rated Current	45A
DC Resistance	0.8 m $\Omega$ maximum
Isolation	500Vac between coil and core
Insulation	100 Meg $\Omega$ min at 500Vdc between coil and core.
Insulation class	Class E

### MECHANICAL SPECIFICATIONS



All dimensions are given in millimeters, unless otherwise specified, tolerance  $\pm 0.5$  mm