

SMD INDUCTOR DR354-1 SERIES

Features

- SMD Chip Inductor, Low Profile
- Suitable for High Frequency Application
- Inductance Range from 1.6nH to 390nH
- Operating Temp. -40°C to +125°C
- Tinned Leads with Leaded Solder is Available (note 6)



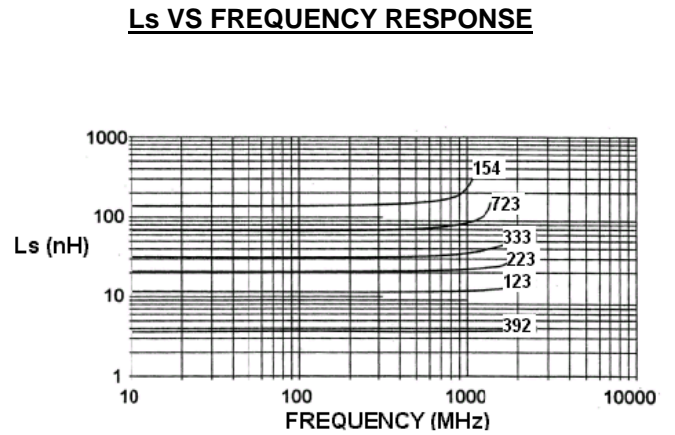
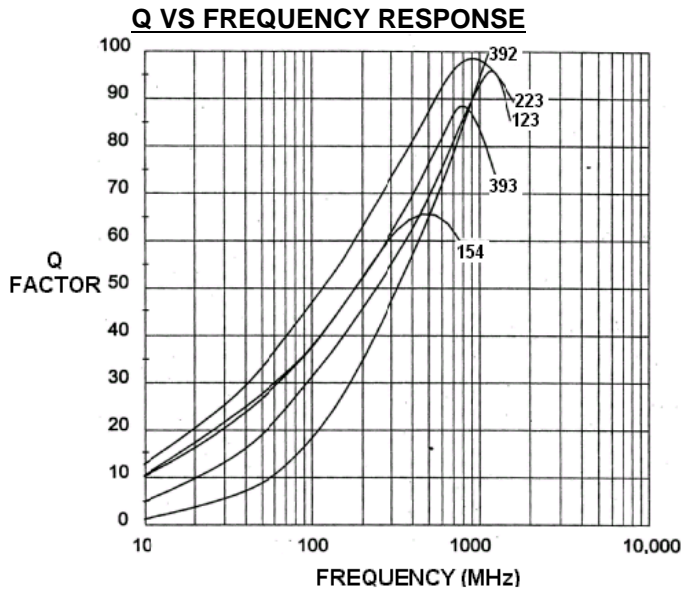
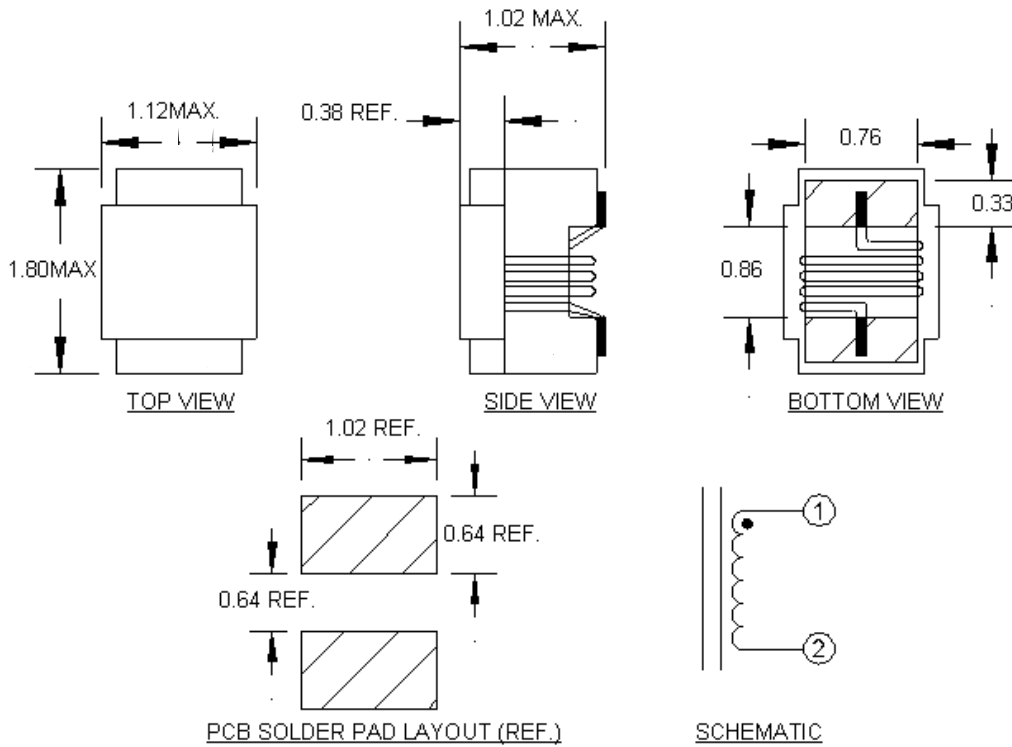
ELECTRICAL SPECIFICATIONS AT 25°C

| Part Number | L(nH) @250MHz | Tolerance | 900MHz | | 1.7GHz | | SRF (MHz) Min. | DCR (Ohm) Max. | Idc (A) Max. |
|---------------|------------------|-----------|--------|--------|----------|--------|----------------------|----------------------|--------------------|
| | | | L Typ. | Q Typ. | L Typ. | Q Typ. | | | |
| DR354-1-162-T | 1.6 | 20, 10 | 1.67 | 49 | 1.65 | 63 | 12500 | 0.030 | 0.700 |
| DR354-1-182-T | 1.8 | 20, 10 | 1.63 | 35 | 1.66 | 50 | 12500 | 0.045 | 0.700 |
| DR354-1-362-T | 3.6 | 20, 10 | 3.72 | 53 | 3.71 | 65 | 5900 | 0.063 | 0.700 |
| DR354-1-392-T | 3.9 | 20, 10, 5 | 3.95 | 49 | 3.96 | 67 | 6900 | 0.080 | 0.700 |
| DR354-1-432-T | 4.3 | 20, 10, 5 | 4.32 | 50 | 4.33 | 70 | 5900 | 0.063 | 0.700 |
| DR354-1-472-T | 4.7 | 20, 10, 5 | 4.72 | 47 | 4.75 | 57 | 5800 | 0.116 | 0.700 |
| DR354-1-512-T | 5.1 | 20, 10, 5 | 4.93 | 47 | 4.95 | 56 | 5700 | 0.140 | 0.700 |
| DR354-1-682-T | 6.8 | 20, 10, 5 | 6.75 | 60 | 7.10 | 81 | 5800 | 0.110 | 0.700 |
| DR354-1-752-T | 7.5 | 20, 10, 5 | 7.70 | 60 | 7.82 | 65 | 4800 | 0.106 | 0.700 |
| DR354-1-872-T | 8.7 | 20, 10, 5 | 8.86 | 62 | 9.32 | 68 | 4600 | 0.109 | 0.700 |
| DR354-1-952-T | 9.5 | 20, 10, 5 | 9.70 | 59 | 9.92 | 61 | 5400 | 0.135 | 0.700 |
| DR354-1-103-T | 10 | 10, 5, 2 | 10.0 | 66 | 10.6 | 83 | 4800 | 0.130 | 0.700 |
| DR354-1-113-T | 11 | 10, 5, 2 | 11.0 | 53 | 11.5 | 56 | 4000 | 0.086 | 0.700 |
| DR354-1-123-T | 12 | 10, 5, 2 | 12.3 | 72 | 13.5 | 83 | 4000 | 0.130 | 0.700 |
| DR354-1-153-T | 15 | 10, 5, 2 | 15.4 | 64 | 16.8 | 89 | 4000 | 0.170 | 0.700 |
| DR354-1-163-T | 16 | 10, 5, 2 | 16.2 | 55 | 17.3 | 52 | 3300 | 0.104 | 0.700 |
| DR354-1-183-T | 18 | 10, 5, 2 | 18.7 | 70 | 21.4 | 69 | 3100 | 0.170 | 0.700 |
| DR354-1-223-T | 22 | 10, 5, 2 | 22.8 | 73 | 26.1 | 71 | 3000 | 0.190 | 0.700 |
| DR354-1-243-T | 24 | 10, 5, 2 | 24.5 | 45 | 28.7 | 39 | 2650 | 0.135 | 0.700 |
| DR354-1-273-T | 27 | 10, 5, 2 | 29.2 | 74 | 34.6 | 65 | 2800 | 0.220 | 0.600 |
| DR354-1-303-T | 30 | 10, 5, 2 | 31.4 | 47 | 39.9 | 28 | 2250 | 0.144 | 0.600 |
| DR354-1-333-T | 33 | 10, 5, 2 | 36.0 | 67 | 49.5 | 42 | 2300 | 0.220 | 0.600 |
| DR354-1-363-T | 36 | 10, 5, 2 | 39.4 | 47 | 52.7 | 24 | 2080 | 0.250 | 0.600 |
| DR354-1-393-T | 39 | 10, 5, 2 | 42.7 | 60 | 60.2 | 40 | 2200 | 0.250 | 0.600 |
| DR354-1-433-T | 43 | 10, 5, 2 | 14.0 | 44 | 64.9 | 21 | 2000 | 0.280 | 0.600 |
| DR354-1-473-T | 47@200MHz | 10, 5, 2 | 52.2 | 62 | 77.2 | 35 | 2000 | 0.280 | 0.600 |
| DR354-1-563-T | 56@200MHz | 20, 10, 5 | 62.5 | 52 | 97.0 | 26 | 1900 | 0.310 | 0.600 |
| DR354-1-683-T | 68@200MHz | 20, 10, 5 | 80.5 | 54 | 168 | 21 | 1700 | 0.340 | 0.600 |
| DR354-1-723-T | 72@150MHz | 20, 10, 5 | 82.0 | 53 | 135 | 20 | 1700 | 0.490 | 0.400 |
| DR354-1-823-T | 82@150MHz | 20, 10, 5 | 96.2 | 54 | 177 | 21 | 1700 | 0.540 | 0.400 |
| DR354-1-104-T | 100@150MHz | 20, 10, 5 | 124 | 49 | - | - | 1400 | 0.580 | 0.400 |
| DR354-1-114-T | 110@150MHz | 20, 10, 5 | 138 | 43 | - | - | 1350 | 0.610 | 0.300 |
| DR354-1-124-T | 120@150MHz | 20, 10, 5 | 166 | 39 | - | - | 1300 | 0.650 | 0.300 |
| DR354-1-154-T | 150@150MHz | 20, 10, 5 | 250 | 25 | - | - | 990 | 0.920 | 0.280 |
| DR354-1-184-T | 180@100MHz | 20, 10, 5 | 305 | 22 | - | - | 990 | 1.250 | 0.240 |
| DR354-1-224-T | 220@100MHz | 20, 10, 5 | 480 | 8 | - | - | 900 | 1.900 | 0.200 |
| DR354-1-274-T | 270@100MHz | 20, 10, 5 | 980 | 4 | - | - | 520 | 2.300 | 0.170 |
| DR354-1-390-K | 390@100MHz | 10 | | 22 Min | @100 MHz | | 400 | 2.2 | 0.150 |

INDUCTANCE TOLERANCE: WHEN ORDERING, PLEASE SPECIFY THE TOLERANCE.

-T (M=±20%, K=±10%, J=±5%, G=±2%)

MECHANICAL OUTLINES



Notes:

1. All dimensions are shown in millimeter "mm"
2. General tolerance ± 0.1 mm, unless other specified
3. Tape and reel quantity, 4000 pcs/reel
4. Terminal finish is compliant to RoHS requirements and is gold plated
5. Solder in accordance with J-STD-002 Rev. D
6. Non-RoHS series parts 42-354-1-XXX are finished with leaded solder Sn60Pb40 or equivalent