

SMD INDUCTOR DR355-2 SERIES

Features

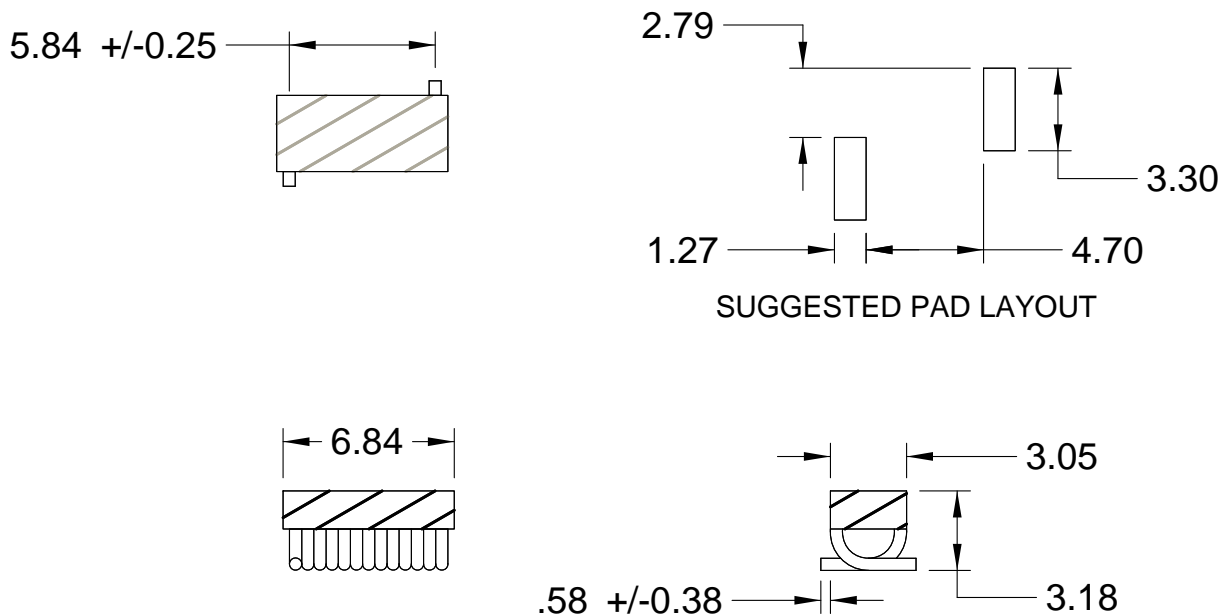
- Low Profile Surface Mount Design
- Suitable for Reflow soldering
- Inductance Range from 17.5nH to 43nH
- Operating Temp. -40°C to +125°C
- Tinned Leads with Leaded Solder is Available (note 4)



ELECTRICAL SPECIFICATIONS AT 25°C

PART NO.	INDUCTANCE (nH) @ 0A	Q Min.	Test Freq. (MHz)	SRF (MHz) Min.	DCR (mΩ) MAX.	MAX. RATED CURRENT (A) (TYP.)
DR355-2-183	17.5±5%	100	150	2200	4.5	4.0
DR355-2-223	22.0±5%	102	150	2100	5.2	4.0
DR355-2-283	28.0±5%	105	150	1800	6.0	4.0
DR355-2-363	35.5±5%	112	150	1500	6.8	4.0
DR355-2-433	43.0±5%	106	150	1200	7.9	4.0

MECHANICAL OUTLINES



NOTE:

1. All dimensions shown are in "mm".
2. All dimensions are reference unless other specified
3. Tape and reel quantity, 1000 pcs/reel
4. For non-RoHS parts replace DR prefix with 42- (e.g. DR355-2 becomes 42-355-2)
5. Terminal finish is compliant to RoHS requirements. Solder in accordance with J-STD-020D