

SMD INDUCTOR DR355-3 SERIES

Features

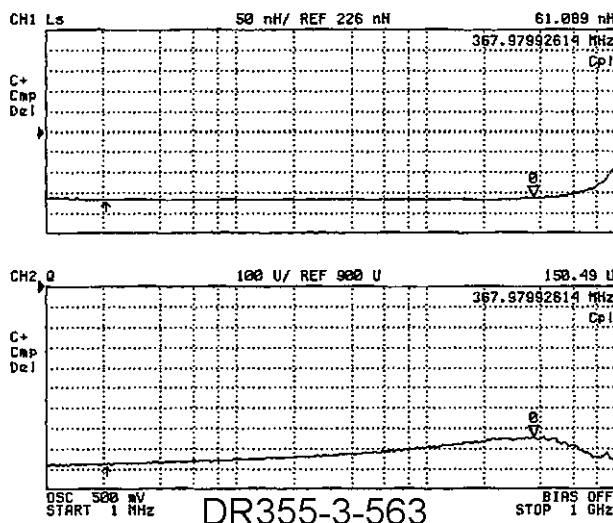
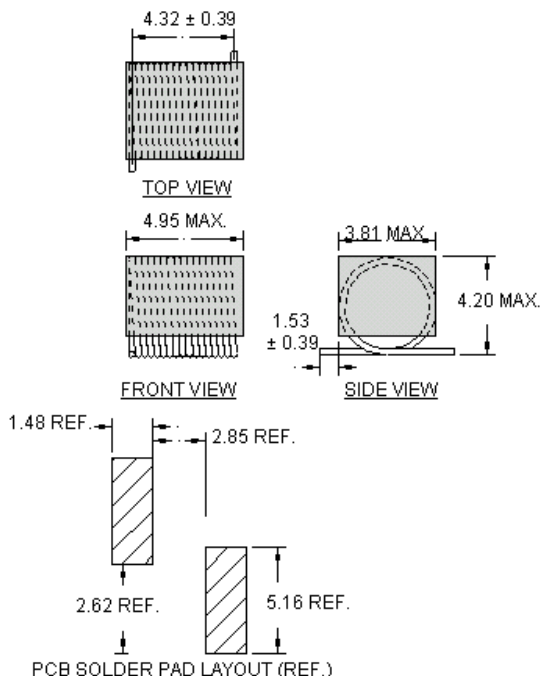
- Low Profile Surface Mount Design
- Suitable for Reflow soldering
- Inductance Range from 22nH to 120nH
- Operating Temp. -40°C to +125°C
- Tinned Leads with Leaded Solder is Available (note 3)



ELECTRICAL SPECIFICATIONS AT 25°C

PART NO.	INDUCTANCE (nH) @ 0A	Q Min.	Test Freq. (MHz)	SRF (MHz) Min.	DCR (mΩ) MAX.	MAX. RATED CURRENT (A) (TYP.)
DR355-3-223	22±5%	100	150	3200	4.2	3.0
DR355-3-273	27±5%	100	150	2700	4.0	3.5
DR355-3-333	33±5%	100	150	2500	4.8	3.0
DR355-3-393	39±5%	100	150	2100	4.4	3.0
DR355-3-473	47±5%	100	150	2100	5.6	3.0
DR355-3-563	56±5%	100	150	1500	6.2	3.0
DR355-3-683	68±5%	100	150	1500	8.2	2.5
DR355-3-823	82±5%	100	150	1300	9.4	2.5
DR355-3-104	100±5%	100	150	1200	12.3	1.7
DR355-3-124	120±5%	100	150	1100	17.3	1.5

MECHANICAL OUTLINES



Typical Response Curves for DR355s

NOTES:

1. All dimensions shown are in "mm".
2. Tape and reel quantity, 750 pcs/reel
3. For non-RoHS parts replace DR prefix with 42- (e.g. DR355-3 becomes 42-355-3)
4. Terminal finish is compliant to RoHS requirements. Solder in accordance with J-STD-020D