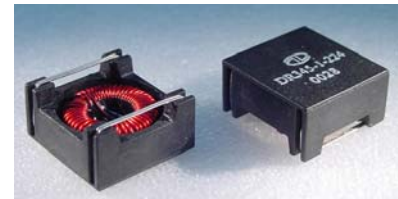




SELF-LEADED SMD INDUCTOR DR345 SERIES

Features

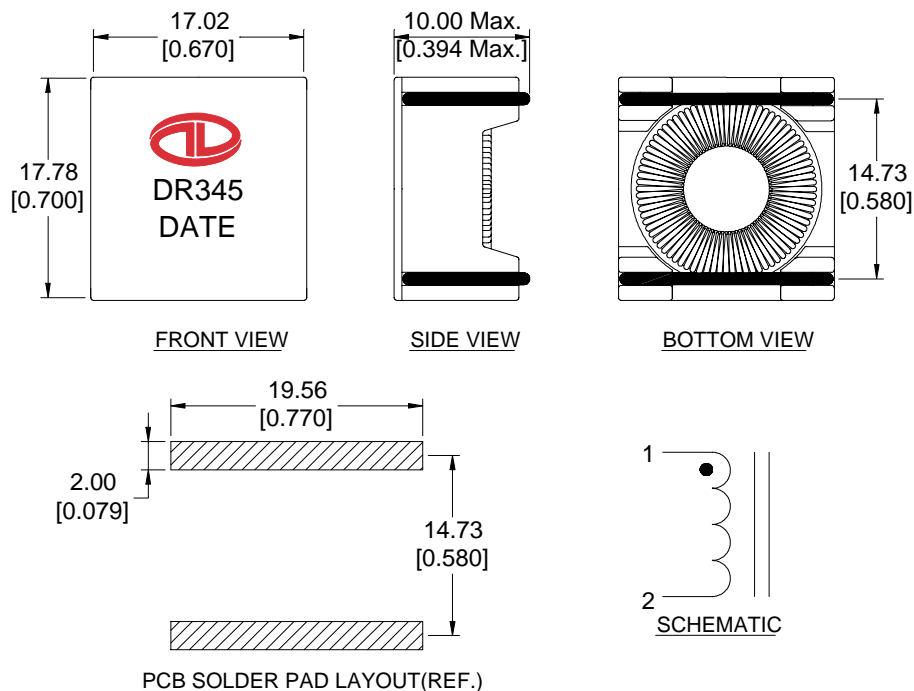
- Low Profile Surface Mount Design
- Flat Top for Pick and Place
- Inductance Range from 9.0 μH to 1100 μH
- Tape & Reel Packing
- Operating Temp. -40°C to +85°C
- Tinned Leads with Leaded Solder is Available (note 3)



ELECTRICAL SPECIFICATIONS AT 25°C

PART No.	INDUCTANCE (μH) $\pm 20\%$ @100KHz, 0.1V	DCR (Ω) $\pm 20\%$	RATED CURRENT (A) Nominal	E _{Top} @100KHz (V- μSec) Ref.
DR345-090	9	0.016	7.2	4.92
DR345-160	16	0.030	5.1	6.27
DR345-500	50	0.115	2.6	10.5
DR345-112	1100	1.480	0.71	54.4

MECHANICAL OUTLINES



NOTES:

1. All dimensions are shown in millimeters "mm" [inches "in"].
2. General tolerance $\pm 0.25\text{mm}$ [0.010 in.], unless otherwise specified.
3. For non-RoHS parts replace DR prefix with 42- (e.g. DR345 becomes 42-345).
4. Terminal finish is compliant to RoHS requirements. Solder in accordance with J-STD-020C.