

SHIELDED SMD INDUCTOR DR357-1 SERIES

Features

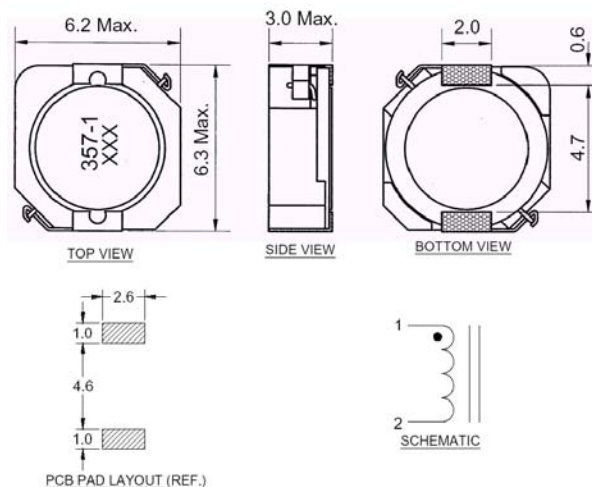
- Low Profile Surface Mount Design
- Flat Top for Pick and Place
- Inductance Range from 2.5 μ H to 100.0 μ H
- Operating Temp. -40°C to +105°C
- Tinned Leads with Leaded Solder is Available (note 7)



ELECTRICAL SPECIFICATIONS AT 25°C

Part No.	Inductance (μ H) \pm 30%	DCR (Ω) Max.	I _{rated} (A) Max.
DR357-1-252	2.5	0.018	2.60
DR357-1-332	3.3	0.020	2.30
DR357-1-402	4.0	0.027	2.10
DR357-1-502	5.0	0.031	1.85
DR357-1-602	6.0	0.042	1.70
DR357-1-802	8.0	0.050	1.50
DR357-1-103	10.0	0.054	1.30
DR357-1-123	12.0	0.072	1.20
DR357-1-153	15.0	0.082	1.10
DR357-1-183	18.0	0.102	1.05
DR357-1-223	22.0	0.119	0.95
DR357-1-273	27.0	0.146	0.85
DR357-1-333	33.0	0.183	0.76
DR357-1-393	39.0	0.210	0.68
DR357-1-473	47.0	0.230	0.60
DR357-1-563	56.0	0.350	0.55
DR357-1-683	68.0	0.351	0.48
DR357-1-823	82.0	0.419	0.45
DR357-1-104	100.0	0.520	0.40

MECHANICAL OUTLINES



Notes:

1. All dimensions are shown in millimeter "mm"
2. General tolerance \pm 0.2mm, unless other specified
3. Inductance Test: 100kHz, 0.1Vrms
4. I_{rated} for an approximate 40°C temperature rise
5. I_{rated} for an approximate 35% drop maximum of the initial value
6. Tape and reel quantity, 2000 pcs/reel
7. For non-RoHS parts, replace DR prefix with 42- (e.g. DR357-1 becomes 42-357-1)
8. Terminal finish is compliant to RoHS requirements. Solder in accordance with J-STD-020D