

## SHIELDED SMD INDUCTOR DR357-2 SERIES

### Features

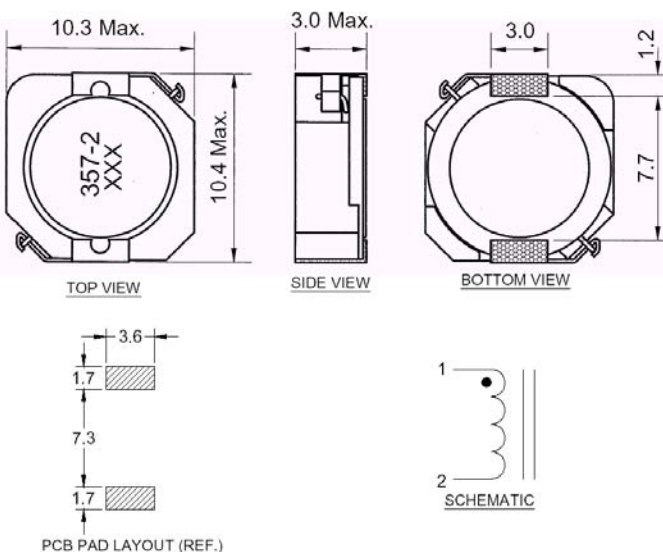
- Low Profile Surface Mount Design
- Flat Top for Pick and Place
- Inductance Range from 4.7 $\mu$ H to 150.0 $\mu$ H
- Operating Temp. -40°C to +105°C
- Tinned Leads with Leaded Solder is Available (note 7)



### ELECTRICAL SPECIFICATIONS AT 25°C

Part No.	Inductance ( $\mu$ H) $\pm$ 30%	DCR ( $\Omega$ ) Max.	$I_{rms}$ (A) Max.	$I_{sat}$ (A) Max.
DR357-2-472	4.7	0.030	3.30	4.00
DR357-2-682	6.8	0.035	3.15	3.20
DR357-2-822	8.2	0.050	2.50	3.00
DR357-2-103	10.0	0.058	2.40	2.70
DR357-2-123	12.0	0.072	2.10	2.40
DR357-2-153	15.0	0.087	2.05	2.20
DR357-2-183	18.0	0.116	1.50	2.00
DR357-2-223	22.0	0.145	1.20	1.80
DR357-2-273	27.0	0.176	1.15	1.65
DR357-2-333	33.0	0.213	1.10	1.48
DR357-2-393	39.0	0.269	1.00	1.35
DR357-2-473	47.0	0.299	0.90	1.20
DR357-2-563	56.0	0.336	0.78	1.15
DR357-2-683	68.0	0.451	0.68	1.05
DR357-2-823	82.0	0.514	0.63	0.95
DR357-2-104	100.0	0.700	0.56	0.85
DR357-2-124	120.0	0.765	0.53	0.76
DR357-2-154	150.0	0.876	0.51	0.70

### MECHANICAL OUTLINES



#### Notes:

1. All dimensions are shown in millimeter "mm"
2. General tolerance  $\pm$ 0.2mm, unless other specified
3. Inductance Test: 100kHz, 0.1Vrms
4.  $I_{rms}$  for an approximate 40°C temperature rise
5.  $I_{sat}$  for an approximate 35% drop maximum of the initial value
6. Tape and reel quantity, 1000 pcs/reel
7. For non-RoHS parts replace DR prefix with 42- (e.g. DR357-2 becomes 42-357-2)
8. Terminal finish is compliant to RoHS requirements. Solder in accordance with J-STD-020D