

## SMD INDUCTOR DR353-6 SERIES

### Features

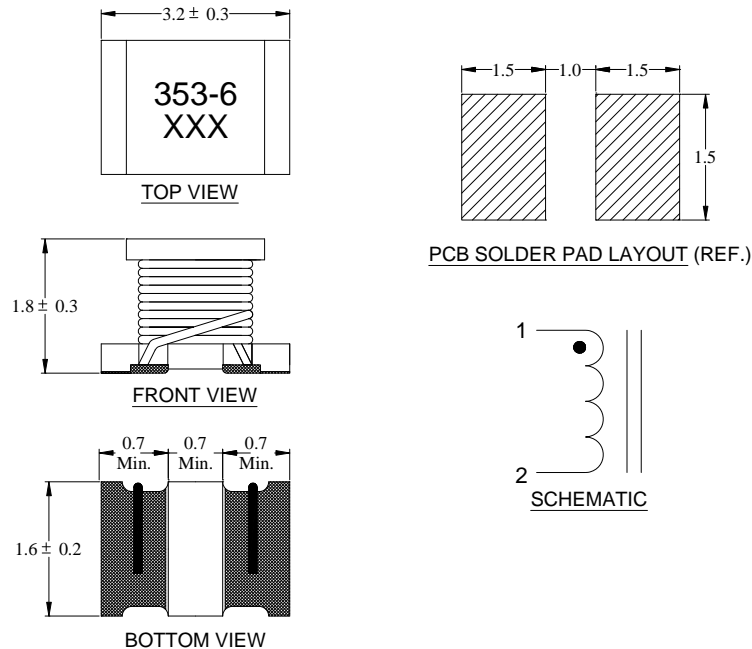
- Low Profile Surface Mount Design
- Flat Top for Pick and Place
- Inductance Range from 0.12 $\mu$ H to 100.0 $\mu$ H
- Operating Temp. -25°C to + 85°C
- Tinned Leads with Leaded Solder is Available (note 6)



### ELECTRICAL SPECIFICATIONS AT 25°C

Part No.	Inductance ( $\mu$ H)		DCR ( $\Omega$ ) Max.	$I_{rated}$ (mA) Max.	SRF (MHz) Min.
DR353-6-121	0.12 $\pm$ 20%	@1MHz	0.112	970	250
DR353-6-221	0.22 $\pm$ 20%	@1MHz	0.140	850	250
DR353-6-471	0.47 $\pm$ 20%	@1MHz	0.210	700	180
DR353-6-102	1.0 $\pm$ 20%	@1MHz	0.364	510	100
DR353-6-222	2.2 $\pm$ 20%	@1MHz	0.533	430	50
DR353-6-472	4.7 $\pm$ 20%	@1MHz	0.845	340	31
DR353-6-103	10 $\pm$ 10%	@1MHz	1.690	230	20
DR353-6-223	22 $\pm$ 10%	@1MHz	3.900	160	14
DR353-6-473	47 $\pm$ 10%	@1MHz	10.40	100	10
DR353-6-104	100 $\pm$ 10%	@1MHz	15.60	80	7

### MECHANICAL OUTLINES



### Notes:

1. All dimensions are shown in millimeter "mm"
2. General tolerance  $\pm$ 0.2mm, unless other specified
3.  $I_{rated}$  for an approximate 40°C temperature rise
4.  $I_{rated}$  for an approximate 20% drop maximum of the initial value
5. Tape and reel quantity, 2000 pcs/reel
6. For non-RoHS parts replace DR prefix with 42- (e.g. DR353-6 becomes 42-353-6)
7. Terminal finish is compliant to RoHS requirements. Solder in accordance with J-STD-020D