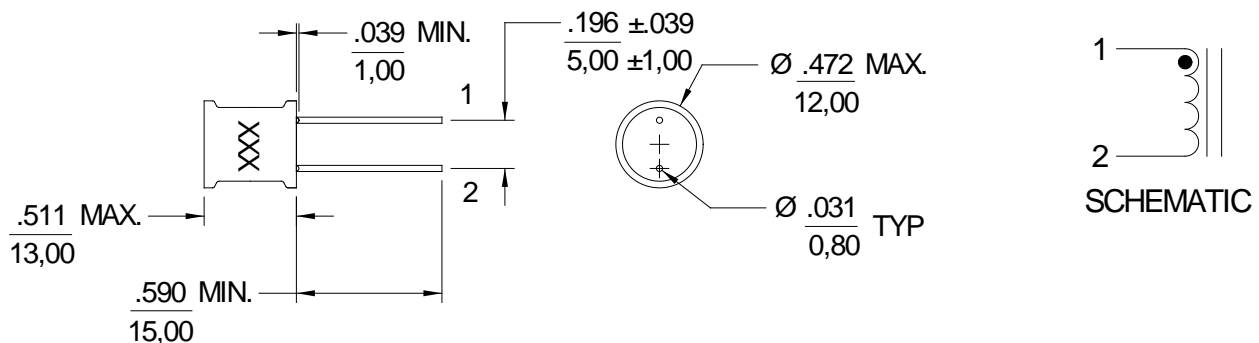


DR217-6 SERIES RADIAL LEADED INDUCTORS
Features

- Designed for EMI Filters & Switching Power Supplies
- Inductance Range from 3.3 μ H to 15mH
- Operating Temp. -20°C to +80°C
- Tinned Leads with Leaded Solder is Available (note 5)


ELECTRICAL SPECIFICATIONS AT 25°C

Part Number	Inductance (μ H) @1kHz	Q Min.	Q Test Freq.	SRF (MHz) Min.	DCR (Ohm) Max.	Rated Current (A) Max. I sat	Rated Current (A) Max. I rms
DR217-6-332	3.3 \pm 20%	10	7.96MHz	36	0.01	8.8	5.9
DR217-6-472	4.7 \pm 20%	10	7.96MHz	28	0.015	7.2	4.8
DR217-6-682	6.8 \pm 20%	10	7.96MHz	18	0.016	6.1	4.6
DR217-6-103	10 \pm 20%	20	2.52MHz	16	0.025	5	3.7
DR217-6-153	15 \pm 20%	20	2.52MHz	12	0.029	4.2	3.4
DR217-6-223	22 \pm 10%	20	2.52MHz	9.5	0.04	3.4	2.9
DR217-6-333	33 \pm 10%	30	2.52MHz	7	0.062	2.8	2.3
DR217-6-473	47 \pm 10%	30	2.52MHz	5.8	0.075	2.3	2.1
DR217-6-683	68 \pm 10%	20	2.52MHz	4.7	0.13	1.9	1.6
DR217-6-104	100 \pm 10%	20	796kHz	3.8	0.16	1.6	1.4
DR217-6-154	150 \pm 10%	20	796kHz	3.1	0.26	1.3	1.1
DR207-6-184	180 \pm 10%	20	796kHz	2.8	0.3	1.2	1.05
DR217-6-224	220 \pm 10%	20	796kHz	2.5	0.33	1.1	1
DR217-6-334	330 \pm 10%	20	796kHz	2	0.52	0.88	0.82
DR217-6-474	470 \pm 10%	10	796kHz	1.6	0.66	0.75	0.72
DR217-6-684	680 \pm 10%	10	796kHz	1.3	1.1	0.61	0.56
DR217-6-105	1000 \pm 10%	20	252kHz	1.1	1.4	0.51	0.5
DR217-6-155	1500 \pm 10%	30	252kHz	0.82	2.4	0.43	0.38
DR217-6-225	2200 \pm 10%	20	252kHz	0.76	3.2	0.35	0.33
DR217-6-335	3300 \pm 10%	30	252kHz	0.64	4.9	0.28	0.26
DR217-6-475	4700 \pm 10%	30	252kHz	0.54	7.6	0.24	0.21
DR217-6-685	6800 \pm 10%	30	252kHz	0.45	9.8	0.2	0.18
DR217-6-106	10000 \pm 10%	30	79.6kHz	0.38	18	0.17	0.14
DR217-6-156	15000 \pm 10%	50	79.6kHz	0.29	24	0.13	0.12

MECHANICAL SPECIFICATIONS

NOTES:

1. Dimensions are shown in inches/millimeters
2. Unless otherwise specified, tolerance = Inches: ± 0.012
= Millimeters: $\pm 0,30$
3. Isat based on the inductance being 90% of its initial value
4. I_{rms} based on a temperature rise of 20°C
5. For non-RoHS parts replace DR prefix with 42- (e.g. DR217-6 becomes 42-217-6)
6. Terminal finish is compliant to RoHS requirements